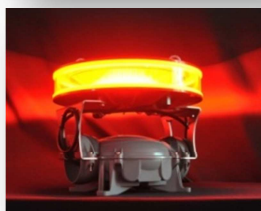


Obstruction lights > Medium Intensity LED

LMIB Type B – Red Flash



Description:

The LEDEOMIB is a medium intensity light with multi-LEDs technology, developed with an aluminium design for a natural fresh cooling system. Dedicated to a night red flash beaconing, it is a long life system (**100 000 hours**), very strong with a low consumption (**<20w**).

The LEDEOMIB is provided with photocell for an automatic switch ON/OFF, and a dry contact for failure alarm.

Moreover, it can be solar power supplied.

It has been designed for an easy installation.

Advantages:

- Wired synchronization integrated, optical fiber, GPS and TCPIP available
- Long life time > 10 years
- Multi – LEDs
- Low consumption < 20W
- Lightning protection
- Automatics test sequence included with photocell
- No maintenance
- 5 year warranty*
- Zamac box with epoxy powder painting
- Connection plug IP68 in option

Regulation:

- OACI, STAC N° 2011A035
- CE
- FAA Compliant L-864

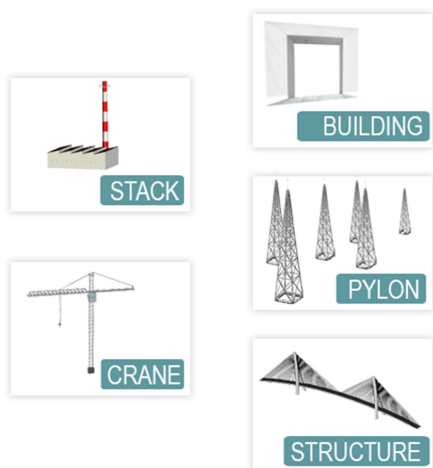
Applications :

Rules concerning aircraft beaconing are established by the ICAO (Annex 14, Chapter 6).

Medium intensity lights can be installed on structures up to 150 meters high. Beyond 90 meters, it is necessary to plan several levels of lights.

According to the rules, an uninterruptible power supply cabinet has to be installed to assure 12 hour beaconing in case of power supply failure.

Scope of applications:



Models:

Reference	Voltage	Photocell	Dry contact
LMIB00BB*	48V DC	Not included	Not included
LMIB11BB	48V DC	Included	Included
LMIB00MB*	110-240V AC	Not included	Not included
LMIB11MB	110-240V AC	Included	Included

*to installed with Safebox or solar power supply or GPS

FT1306018-EN-Rev1



Obstruction light > Medium Intensity LED

LMIB Type B – Red Flash

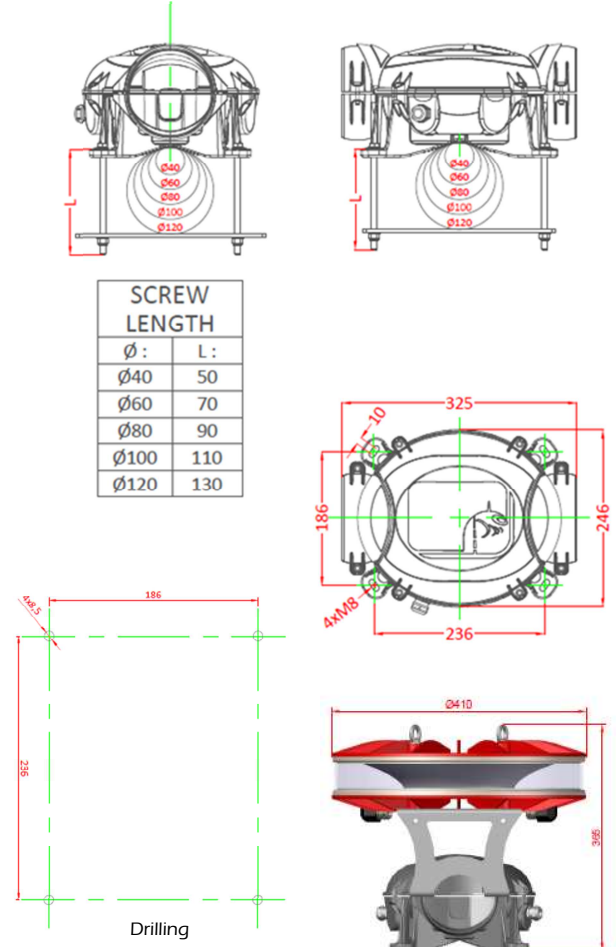


Characteristics:

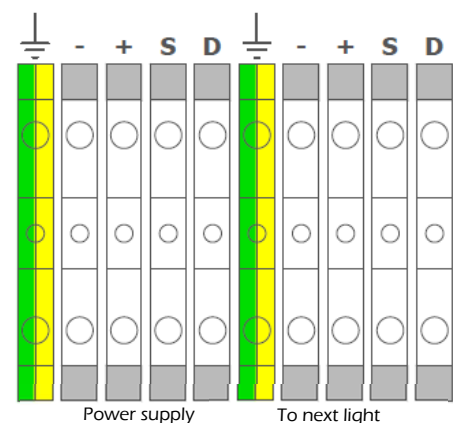
Luminous	
Luminous source	LEDs
Colour	Red flash
Horizontal beam	360°
Vertical beam	3°
Luminous intensity	2 000 Cd
Flash frequency	20 to 60 fpm
MTBF	100 000 Hours
Electrics	
Voltage	48V DC / 110-240V AC
Lightning protection	Integrated
Functioning temperature	-55°C to +55°C
Medium consumption	<20 Watts to 20 fpm
Current Imax	To 48V : I=1300mA To 230V : I=300mA
Protection class	IP68
Mechanicals	
Box material	Zamac
Body lamp material	Aluminium
Lens material	Polycarbonate
Mounting	M8 screw
Height	365mm
Width	410mm
Weight	16 Kg
Environment	
Humidity	100%
Gel	-60°C
Wind speed	240 Km/h
Certifications	
CE	EN60947-1 CEI60364, NF C15-100 EN60529
OACI	Annexe 14, Volume I, Chapter 6
FAA	Compliant L-864
Quality	ISO 9001 ; 2008
Warranty	5 years*
Options	Photocell Dry contact for failure alarm

*as per installation conditions

Dimensions :



Wiring:



Available accessories for installation:

- Power supply
- UPS system
- Solar kit

FT1306018-EN-Rev 1

