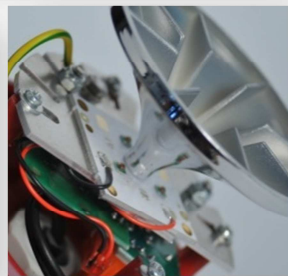


Obstruction lights > Low Intensity LED

LBA Type A > 10 Cd – TWINY



Description:

The TWINY is a one block beacon, equipped with the exclusive redundant Delta Box system. For a safety installation, its automatic test is launched every day. With the LEDs technology, it offers performances in terms of life time (**100 000 hours**), robustness and consumption (**<3W**).

The LEDEOBIA TWINY can be solar power supplied for an environmentally friendly system.

The specific design of the box is the most convenient solution on the market for installation: mounting frame is a part of the box and the light position could be adjusted in the suitable position.

Advantages:

- Long life time > 10 years
- Multi – LEDs
- Low consumption < 3W
- Lightning protection
- Automatics test checks the well-functioning of the both lights
- No maintenance
- 5 year warranty*
- Zamac box with epoxy powder painting

Applications:

Rules concerning beaconing are established by the ICAO (Annex 14, Chapter 6).

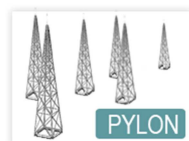
Low intensity beacons can be installed on structures up to 45 meters high.

According to the rules, an uninterruptible power supply cabinet has to be installed to insure a 12 hours beaconing in case of power supply failure.

Regulations:

- ICAO, STAC N° 2010A012
- CE

Scope of applications:



Models:

Reference	Voltage	Photocell	Dry contact
LBIATWCB	48V DC	Included	Included
LBIATWMB	110-240V AC	Included	Included

FT1306004-EN-Rev0



Obstruction lights > Low Intensity LED

LBIA Type A > 10 Cd – TWINY

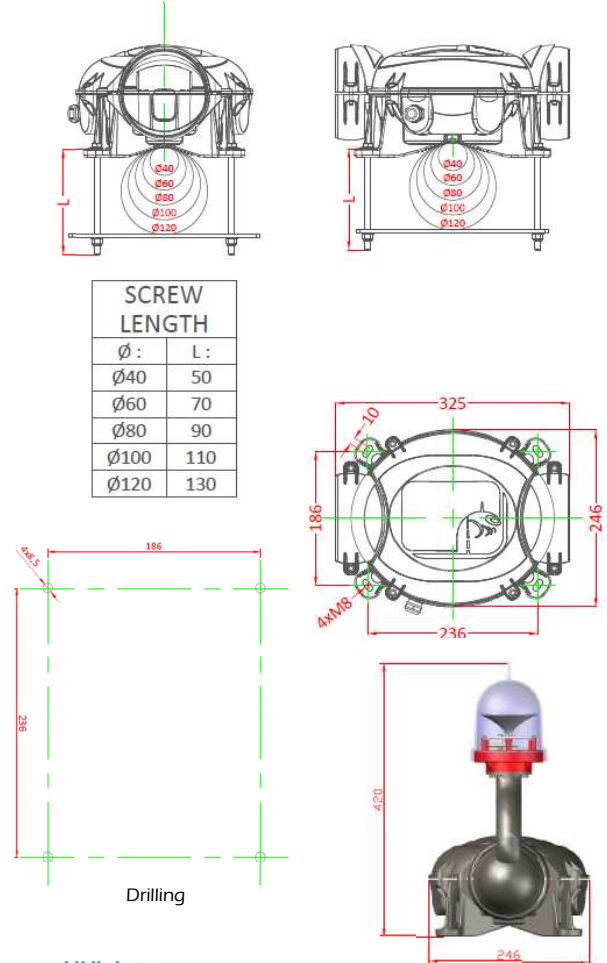


Characteristics:

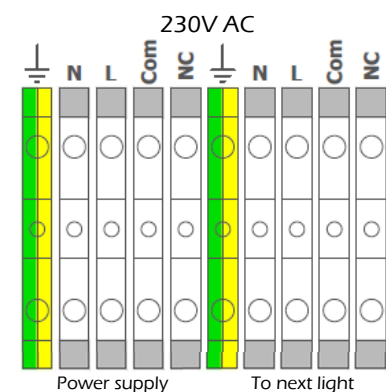
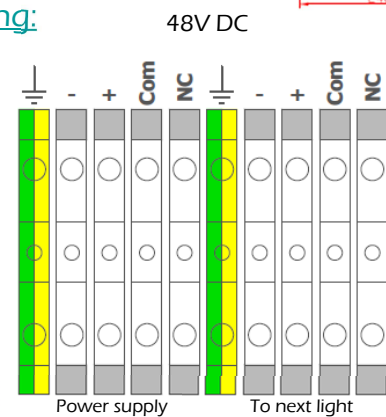
Luminous	
Luminous source	LEDs
Colour	Red
Horizontal beam	360°
Vertical beam	10°
Luminous intensity	>10 Cd
MTBF	100 000 Hours
Electrics	
Voltage	48V DC / 110-240V AC
Lightning protection	Integrated
Functioning temperature	-55°C to +55°C
Consumption	<3 Watts
Current Imax	To 48V : I=40mA To 230V : I=10mA
Protection class	IP68
Mechanicals	
Box material	Zamac
Body lamp material	Composite
Lens material	Polycarbonate with bird spike
Fixation	M8 screw
Height	420mm
Weight	<5 Kg
Environment	
Humidity	100%
Gel	-60°C
Wind speed	240 Km/h
Certifications	
CE	EN60947-1 CEI60364, NF C15-100 EN60529
ICAO	Annexe 14, Volume I, Chapter 6
Quality	ISO 9001 ; 2008
Warranty	5 years*

*as per installation conditions

Dimensions:



Wiring:



Available accessories for installation:

- Power supply
- UPS system
- Solar kit

FT1306004-EN-Rev0



Obstruction lights > Low Intensity LED

LBIB Type B > 32 Cd – TWINY



Description:

The TWINY is a one block beacon, equipped with the exclusive redundant Delta Box system, for a safety installation with daily automatic test. The Multi-LEDs technology offers performances in terms of life time (100 000 hours).

The LEDEOBIB TWINY can be solar power supplied for an environmentally friendly system (consumption <6W).

The specific design of the box is the most convenient solution on the market for installation: mounting frame is a part of the box and the light position could be adjusted in the suitable position.

Advantages:

- Long life time > 10 years
- Multi – LEDs
- Low consumption < 6W
- Lightning protection
- Automatic test sequence included with photocell
- No maintenance
- 5 year warranty*
- Zamac box with epoxy powder painting

Applications:

Rules concerning beaconing are established by the ICAO (Annex 14, Chapter 6).

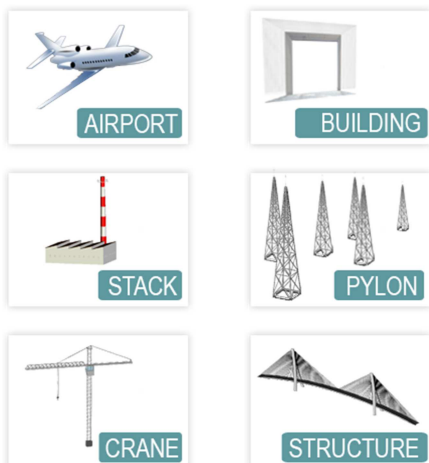
Low intensity beacons can be installed on structures up to 45 meters high.

According to the rules, an uninterruptible power supply cabinet has to be installed to insure a 12 hour beaconing in case of power supply failure.

Regulations:

- ICAO, STAC N° 2010A012
- CE
- FAA Compliant L-810

Scope of applications:



Models:

Reference	Voltage	Photocell	Dry contact
LBIBTWCB	48V DC	Included	Included
LBIBTWMB	110-240V AC	Included	Included

FT1306009-EN-Rev1



Obstruction lights > Low Intensity LED

LBIB Type B > 32 Cd – TWINY



Characteristics:

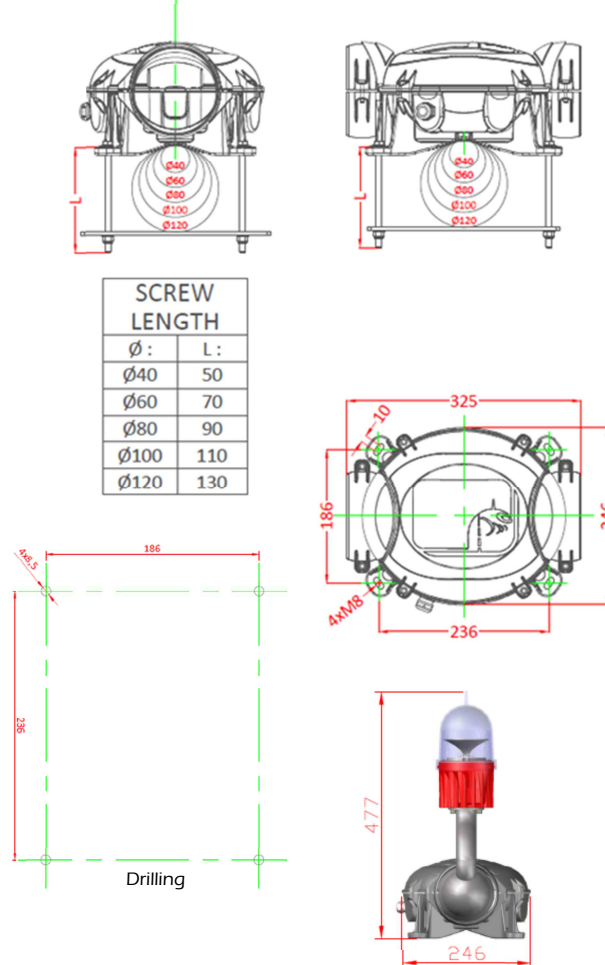
Luminous	
Luminous source	LEDs
Colour	Red
Horizontal beam	360°
Vertical beam	10°
Luminous intensity	>32 Cd
MTBF	100 000 Hours
Electrics	
Voltage	48V DC / 110-240V AC
Lightning protection	Integrated
Functioning temperature	-55°C to +55°C
Consumption	<6 Watts
Current Imax	To 48V : I=120mA To 230V : I=280mA
Protection class	IP68
Mechanicals	
Box material	Zamac
Body lamp material	Aluminium
Lens material	Polycarbonate with bird spike
Mounting	Screw M8
Height	477mm
Weight	<8 Kg
Environment	
Humidity	100%
Gel	-60°C
Wind speed	240 Km/h
Certifications	
CE	EN60947-1 CEI60364, NF C15-100 EN60529
OACI	Annexe 14, Volume I, Chapter 6
FAA	Compliant L-810
Quality	ISO 9001 ; 2008
Warranty	5 years*

* as per installation conditions

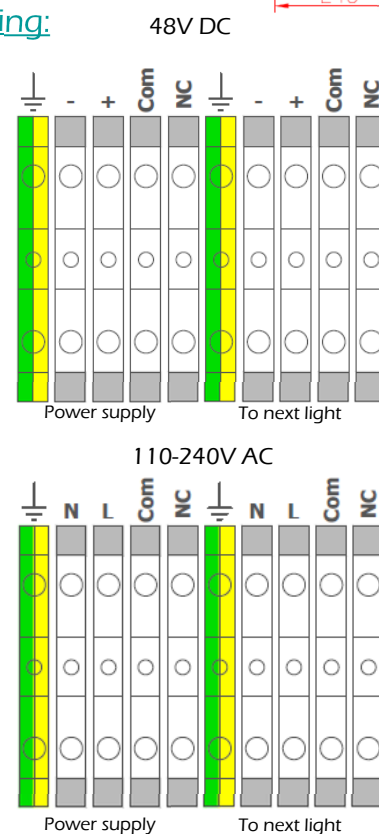
Available accessories for installation:

- Power supply
- UPS system
- Solar kit

Dimensions:



Wiring:



FT1306009-EN-Rev 1

