



# OBSTRUCTION LIGHTS LOW INTENSITY LED

LBIA TYPE A > 10 CD TWINY

## 01. DESCRIPTION

The TWINY is a one block beacon, equipped with the exclusive redundant Delta Box system, for a safety installation with a daily automatic test. With the LEDs technology, it offers performances in terms of long life time (100 000 hours). The LEDEOBIA TWINY can be solar power supplied for an environmentally friendly system (consumption <3W). The specific design of the box is the most convenient solution on the market for installation: mounting frame is a part of the box and the light position could be adjusted in the suitable position.

## 02. ADVANTAGES

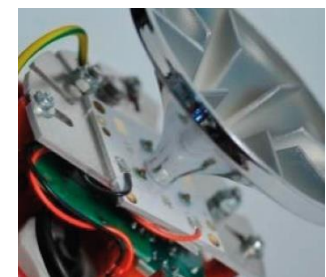
- Long life time > 10 years
- Multi-LED's
- Low consumption <3W
- Delta Box exclusive self-test
- No maintenance
- 2 years warranty
- Zamac box with epoxy powder painting

## 03. APPLICATIONS

Rules concerning beaconing are established by the ICAO (Annex 14, Chapter 6). Low intensity beacons type A can be installed on structures up to 45 meters height. According to the rules, an uninterruptible power supply cabinet has to be installed to insure a 12 hours beaconing in case of power supply failure.

## 04. MODELS

REFERENCE	VOLTAGE	PHOTOCELL	DRY CONTACT
LBIATWCB	48V DC	Included	Included
LBIATWMB	110-240V AC	Included	Included



## REGULATIONS

- OACI, STAC N° 2010A012
- CE

## SCOPE OF APPLICATIONS



Airport



Building



Stack



Pylon



Crane



Structure

## 05. CHARACTERISTICS

### LUMINOUS

Luminous source	LEDS
Color	Red
Horizontal beam	360°
Vertical beam	10°
Luminous intensity	> 10 Cd
MTBF	100 000 hours

### ELECTRICAL

Voltage	48V DC / 110-240V AC
Functioning temperature	-55°C to +55°C
Consumption	< 3 Watts
Current Imax	To 48V : I < 50mA To 230V : I = 10mA
Protection class	IP66

### MECHANICAL

Box material	Zamac
Body lamp material	Composite
Lens material	Polycarbonate with bird spike
Mounting	M8 screw (not supplied)
Height	420mm
Weight	< 5 Kg

### ENVIRONMENTAL

Humidity	100%
Frost	-60°C
Wind speed	240 Km/h

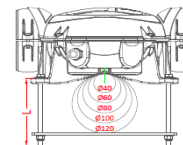
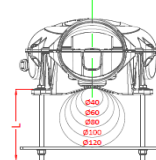
### CERTIFICATIONS

CE	EN60947-1 CEI60364, NF C15-100 2014 / 35 / UE
ICAO Quality	Annex 14, Volume L, Chapter 6 ISO 9001 ; 2008

### WARRANTY

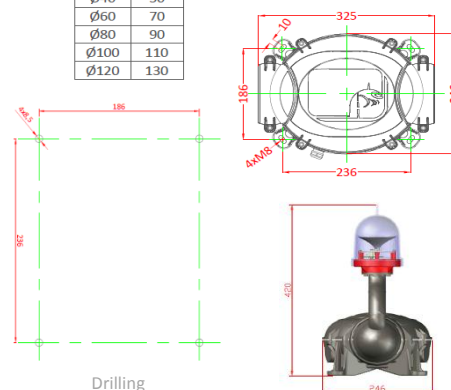
Warranty period	2 years
-----------------	---------

## + DIMENSIONS

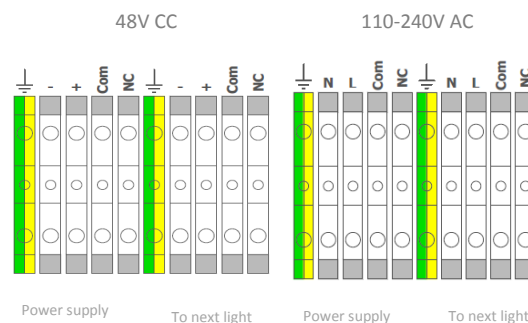


LONGUEUR DE VIS	
Ø :	L :
Ø40	50
Ø60	70
Ø80	90
Ø100	110
Ø120	130

Iron plate and thread rod on option



## + WIRING



## + AVAILABLE ACCESSORIES FOR INSTALLATION

- Power supply
- UPS system
- Solar kit
- Iron plate and thread rod