



OBSTRUCTION LIGHTS LOW INTENSITY LED

LBIB TYPE B 32 CD - TWINY

01. DESCRIPTION

The TWINY is a one block beacon, equipped with the exclusive redundant Delta Box system, for a safety installation with daily automatic test. The Multi-LEDs technology offers performances in terms of long life time (100 000 hours). The LEDEOBIB TWINY can be solar power supplied for an environmentally friendly system (consumption <6w). The specific design of the box is the most convenient solution on the market for installation: mounting frame is a part of the box and the light position could be adjusted in the suitable position.

02. ADVANTAGES

- Long life time > 10 years
- Multi-LEDs
- Low consumption < 6W
- Lightning protection
- Delta Box self-test included with photocell
- No maintenance
- 2 years warranty
- Zamac box with epoxy powder painting

03. APPLICATIONS

Rules concerning beaconing are established by the ICAO (Annex 14, Chapter 6). Low intensity beacons can be installed on structures up to 45 meters in height. For structures > 45m, it is necessary to mark the highest level with Medium Intensity light and to install at the intermediate level the Low Intensity Type B. According to the rules, an uninterruptible power supply cabinet has to be installed to insure a 12 hours beaconing in case of power supply failure.

04. MODELS

REFERENCE	VOLTAGE	PHOTOCELL	DRY CONTACT
LBIBTWCB	48V DC	Included	Included
LBIBTWMB	110-240V AC	Included	Included



REGULATIONS

- OACI, STAC N° 2010A020
- CE
- FAA Compliant L-810

SCOPE OF APPLICATIONS

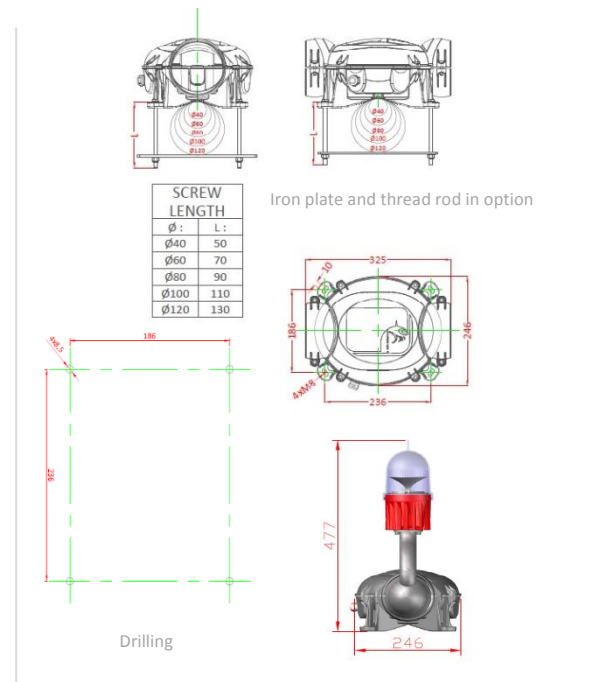




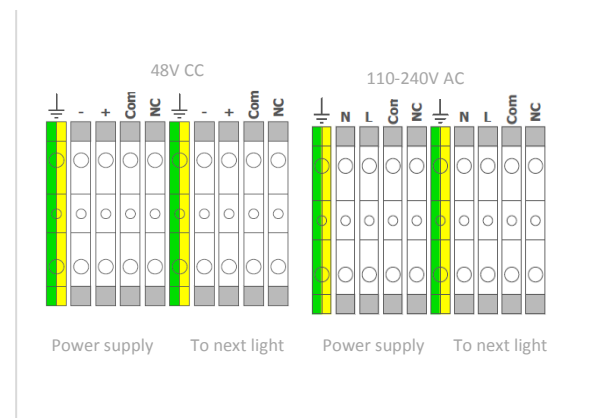
05. CHARACTERISTICS

LUMINOUS	
Luminous source	LEDS
Color	Red
Horizontal beam	360°
Vertical beam	10°
Luminous intensity	> 32 Cd
MTBF	100 000 hours
ELECTRICAL	
Voltage	48V DC / 110-240V AC
Functioning temperature	-55°C to +55°C
Consumption	< 6 Watts
Current Imax	To 48V : I = 110mA To 230V : I < 25mA
Protection class	IP66
MECHANICAL	
Box material	Zamac
Body lamp material	Aluminum
Lens material	Polycarbonate with bird spike
Mounting	M8 screw
Height	477mm
Weight	< 8 Kg
ENVIRONMENTAL	
Humidity	100%
Frost	-60°C
Wind speed	240 Km/h
CERTIFICATIONS	
CE	EN60947-1 CEI60364, NF C15-100 2014 / 35 / UE
OACI	Annex 14, Volume I, Chapter 6
FAA	Compliant L-810
Quality	ISO 9001 ; 2008
WARRANTY	
Warranty period	2 years

+ DIMENSIONS



+ WIRING



+ AVAILABLE ACCESSORIES FOR INSTALLATION

- Power supply
- UPS System
- Solar kit
- Iron plate and thread rod